

6" SPOUT

Pt. No.- **GS15G3006-CS**



8" SPOUT

Pt. No.- **GS15G3008-CS**



Features:

- Suit Hot or Cold water
- Spring Jumper Valves.
- 6", 8" Swivel Spout.
- Fitted with a S/S Clamp / Hook on Spout + S/S PVC coated Cable, Crimped onto special Support Bracket by installer.
- Cables allows Spout to Swivel & Support a bucket.
- Repair Kits Available

WARRANTY:

- 36 Months for Commercial use

Technical:-

Australian Standards : **Watermarked**

WELS Reg. : **TM41201**

WELS Rated : **3 Stars**

Flow Rate : **9 lpm**

Mounting Hole : **22 - 25mm**

Breach Adjustment : **197 - 210mm**

Material : **304 Stainless**

Finish 1 : **Polished**

Working Press. : **500kpa. (NPC)**

Max. Press. rate : **1500kpa.**

Operating Temp : **1 - 80° C.**



Global Tapware Pty Ltd

E – sales.info@globaltapware.com

P – 07 38 55 2350

P – 1300 85 25 15

W- **GLOBALTAPWARE.COM.AU**



AS3718

WaterMark

Certificate No: 23008

Global Tapware Pty Ltd

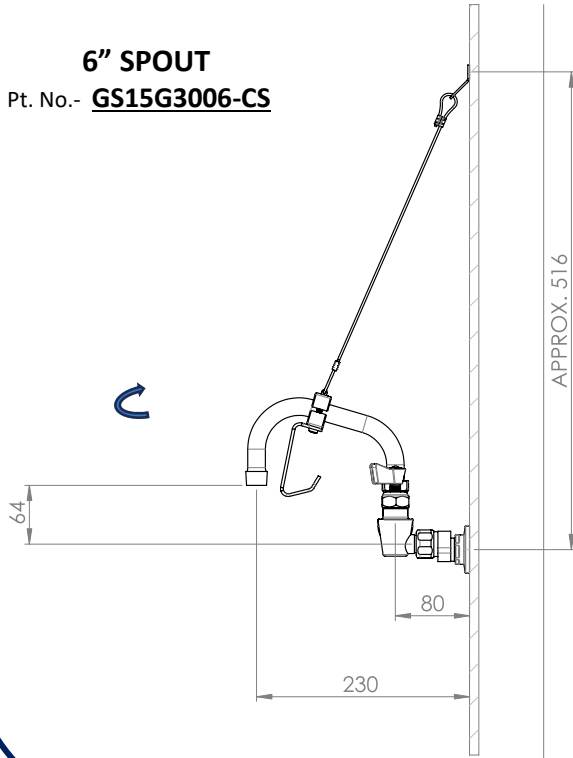
Must be installed in accordance with the requirements of AS/NZS3500

NOTE:- Determining the spout length.

The spout aerator should reach approx. centre of Cleaners Sink e.g. - if using a standard 450mm sink then allow 80 for tap offset + 150mm (6") for spout, giving a reach total of 230mm = near to centre of bowl.

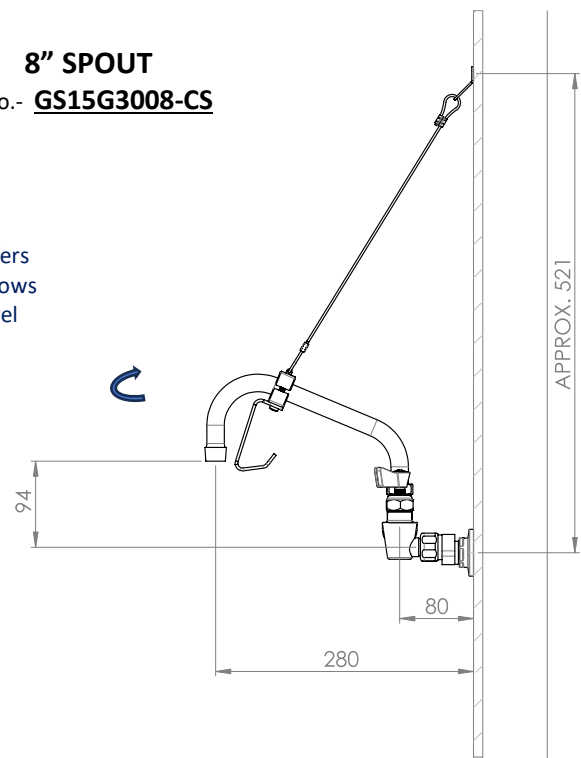
6" SPOUT

Pt. No.- **GS15G3006-CS**



8" SPOUT

Pt. No.- **GS15G3008-CS**



The Cable Offers Support & Allows Spout to Swivel

FEATURES :-

- 1 – Bucket Hook & Cable Brackets are made from 304 S/S.
- 2 – The Cable is S/S with a PVC Coating for Hygiene.
- 3 – The Wall Cable Bracket must be mounted to a stud or some other form to support weight. (This is the responsibility of Installer. If no support, then DO NOT fit and remove from spout.)
- 4 – Height positioning of the Wall Bracket is left to the installer to determine. Above is a guide.
- 5 - The two spout sizes are the best for filling bucket in the right position. Not Short / Not Long.
- 6 – All spouts are made from S/S tube and come with a highly polished finish. Other longer spouts are available if required.
- 7 – All Global Stainless Taps are made from 304 Stainless with a Highly Polished finish.
- 8 – Installation is responsibility of installer and is not included in our warranty.

ITEM A :- Spout Service Kit

Pt. No – **G-SKIT**



ITEM B :- Tap SBA Repair Kits



COLD SPINDLES

Pt. No. **GS03RKC-SS**

HOT SPINDLES

Pt. No. **GS03RKH-SS**