



GLOBAL
TAPWARE

'Global Accessories™'

New PRE-RINSE HOSE

DUAL-PURPOSE:- suit Fisher, Rinse-Mate
+ Others PR HOSES w/ ½" bsp Female ends

Your **ONLY** Pre-Rinse **HOSE** to suit various brands of hose configurations

c/w 1/2" FI Swivels Ends + Nipples

650mm Hose - PT. No. **GPRH0650F** RRP \$ _____ + GST

*920mm Hose - PT. No. **GPRH0900F** RRP \$ _____ + GST

970mm Hose - PT. No. **GPRH0970F** RRP \$ _____ + GST

*Most common / Popular Size.



S/S Ferrule w/
2 x M5 Grub Screws

S/S Armourflex Hose
w/ S/S Braided Inner
Santoprene Tube



S/S Swivel Nut:
½" bsp Female



(2) - S/S Nipples :

1 x ¼" x ½" BSP Male
& / or

1 x ¾" unf x ½" BSP



** Supplied with 2 x 3mm thick Fibre Washers
To allow rotation of nuts.

Features:

- Suits Hot & Cold & RO water.
- S/S Braid Inner Santoprene Hose & 304 S/S Components & Armourflex Outer.
- ½" Bsp S/S Swivel Female Ends w/ 3mm thick Fibre washers.
- Will suit most other brands w/ ½" FI
- Hose Assembly Tested to AS4020 & AS3499 = Passed.
- 2 x M5 S/S Grub Screws –Superglued into position per end to lock the outer Armourflex to the inner hose component.
- Range of Lengths available:
650mm / 920 / 970mm
*920mm released in July 2021 with all other coming into store during 2021.

WARRANTY:

- 24 Months for Commercial use.
- (As this is a new model, we will keep this warranty period for 2 yrs. then look to increase it as the product proves itself.)
- Warranty DOES NOT cover Wear & Tear, Abuse, Over Stretching, nor Incorrectly installed.

This Hose suits:

Global FISHER & GLOBAL Rinse-Mate, Enware, Galvin, 3MKZ & any other Pre-Rinse hose using ½" bsp Female Ends, other than the ones stated below.

It will Not suit:

Single Lever, domestic type Pre-rinse, that use a small i.d. Spring Guard & braided hose, even if it states it is Commercial.

For those hoses we offer another type / style.

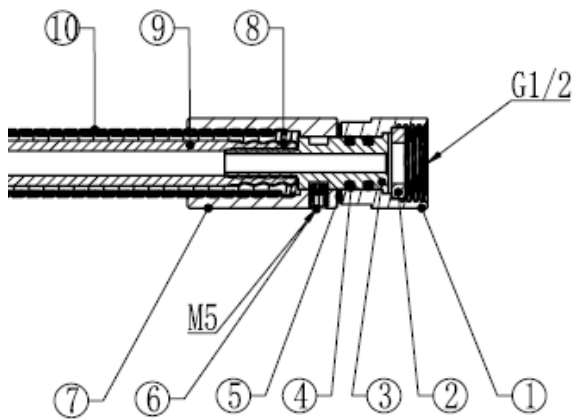
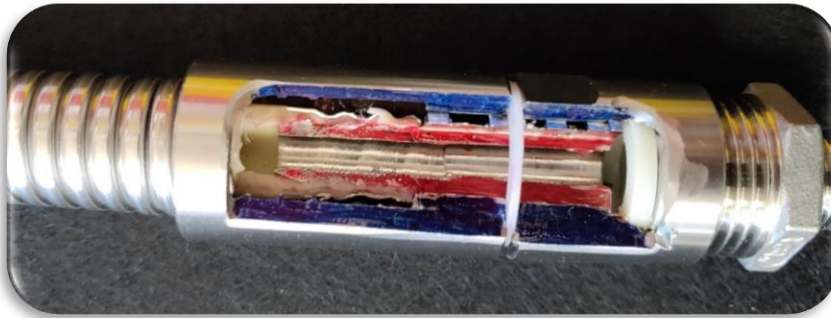
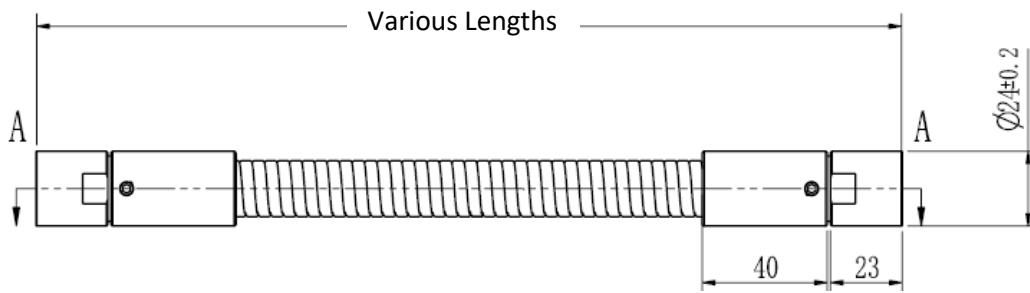
Global Tapware Pty Ltd

E – sales.info@globaltapware.com

P – 07 38 55 2350

P – 1300 85 25 15

W- **GLOBALTAPWARE.COM.AU**



| Item | Description | Qty |
|------|-----------------------------|-----|
| 1 | SS304 ½" Swivel Nut | 2 |
| 2 | Fibre Washer - 3mm | 2 |
| 3 | SS304 Tail Piece | 2 |
| 4 | NBR O'Rings | 4 |
| 5 | PTEF spacer – 1mm | 2 |
| 6 | SS304 M5 Grub Screw | 4 |
| 7 | SS304 Outer Ferrule | 2 |
| 8 | SS304 Inner Ferrule | 2 |
| 9 | SS304 Braid Santoprene Tube | 1 |
| 10 | SS304 Armourflex Outer | 1 |

TECHNCAL INFORMATION

Australian Standards

Has been fully tested and compliant to AS4020 & AS3499.

Material

OUTER:- 304 Stainless Steel fittings & Armourflex.
INNER :- S/S Braid w/ Santoprene Inner Tube.

O.D. & Length of Nut & Ferrule:

24mm o.d. x 64mm long

Rec'd Working Press. : 500kpa. (NPC)

Max. Press. rate : 1500kpa.

Operating Temp : 1 - 80° C.