



**GLOBAL**  
TAPWARE

# 'Global Accessories™'

## New PRE-RINSE HOSE

**MULTI-PURPOSE:-** suit Fisher, Rinse-Mate + Others w/ 1/2" bsp or 7/8"-unf Female ends

Your **ONLY** Pre-Rinse **HOSE** to suit various brands of hose configurations

c/w 1/2" FI Swivels Ends + Adaptors & Nipples

650mm Hose - PT. No. <b>GPRH0650M</b>	RRP \$ _____ + GST
*920mm Hose - PT. No. <b>GPRH0900M</b>	RRP \$ _____ + GST
970mm Hose - PT. No. <b>GPRH0970M</b>	RRP \$ _____ + GST
1000mm Hose - PT. No. <b>GPRH1000M</b>	RRP \$ _____ + GST
1200mm Hose - PT. No. <b>GPRH1200M</b>	RRP \$ _____ + GST
1500mm Hose - PT. No. <b>GPRH1500M</b>	RRP \$ _____ + GST



**(1) - S/S Adaptor:**  
2 x 7/8 unf Female  
x 1/2" BSP Male

S/S Armourflex Hose  
w/ S/S Braided Inner  
Santoprene Tube



S/S Swivel Nut:  
1/2" bsp Female

S/S Ferrule w/  
2 x M5 Grub Screws



**(2) - S/S Nipples :**

1 x 1/4" x 1/2" BSP Male

or

1 x 3/4" unf x 1/2" BSP



### Features:

- Suits Hot & Cold & RO water.
- S/S Braid Inner Santoprene Hose & 304 S/S Components & Armourflex Outer.
- 1/2" Bsp S/S Swivel Female Ends w/ 3mm thick Fibre washers.
- Will suit most other brands w/ 1/2" FI
- Hose Assembly Tested to AS4020 & AS3499 = Passed.
- 2 x M5 S/S Grub Screws –Superglued into position per end to lock the outer Armourflex to the inner hose component.
- Range of Lengths available:  
**650mm / 920 / 970mm**  
\*920mm released in July 2021 with all other coming into store during 2021.

### WARRANTY:

- 24 Months for Commercial use.
- (As this is a new model, we will keep this warranty period for 2 yrs. then look to increase it as the product proves itself.)
- Warranty DOES NOT cover Wear & Tear, Abuse, Over Stretching, incorrectly installed.

### This Hose suits:

Global Rinse-Mate, Enware, Galvin, 3MKZ, T&S, Encore & any other Pre-Rinse hose using either 1/2" bsp or 7/8"-fine thread Female Ends, other than the ones stated below.

### It will Not suit:

Single Lever, domestic type Pre-rinse, that use a small i.d. Spring Guard & braided hose, even if it states it is Commercial.

For those hoses we offer another type / style.

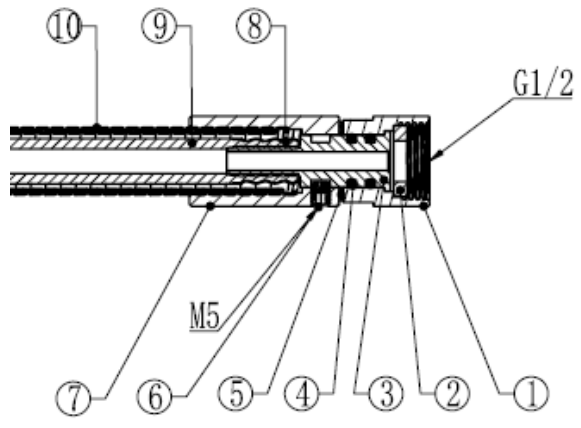
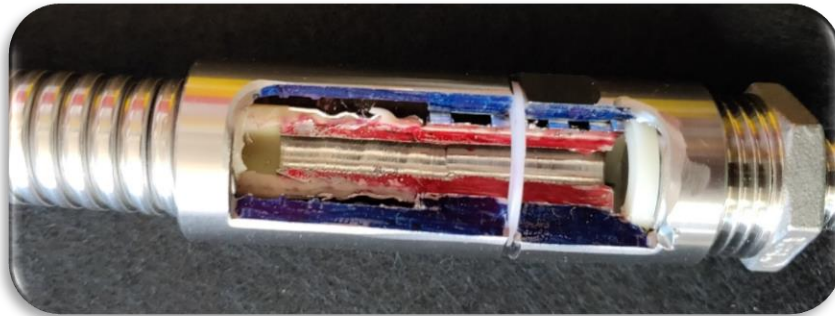
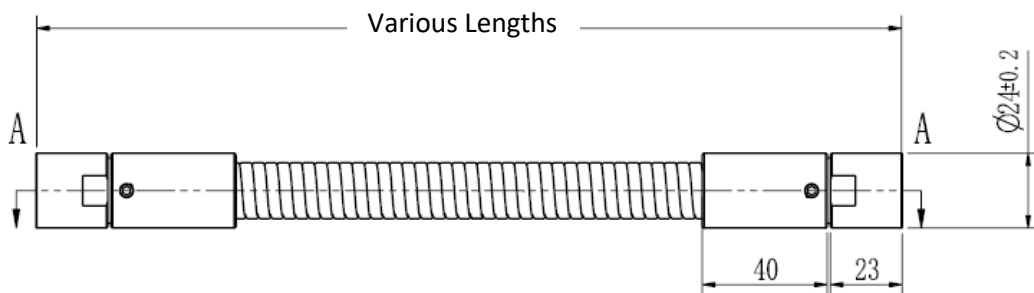
**Global Tapware Pty Ltd**

E – [sales.info@globaltapware.com](mailto:sales.info@globaltapware.com)

P – 07 38 55 2350

P – 1300 85 25 15

W- [GLOBALTAPWARE.COM.AU](http://GLOBALTAPWARE.COM.AU)



Item	Description	Qty
1	SS304 ½" Swivel Nut	2
2	Fibre Washer - 3mm	2
3	SS304 Tail Piece	2
4	NBR O'Rings	4
5	PTEF spacer – 1mm	2
6	SS304 M5 Grub Screw	4
7	SS304 Outer Ferrule	2
8	SS304 Inner Ferrule	2
9	SS304 Braid Santoprene Tube	1
10	SS304 Armourflex Outer	1

**Technical:-**

**Australian Standards** :  
 Has been fully tested and compliant to AS4020 & AS3499.

**Material** :  
 304 Stainless Steel fittings, Braid & Armourflex. w/ Santoprene Inner Tube.

**O.D. & Length of Nut & Ferrule:**  
 24mm o.d. x 64mm long

**Rec'd Working Press.** : 500kpa. (NPC)

**Max. Press. rate** : 1500kpa.

**Operating Temp** : 1 - 80° C.