



**GLOBAL**  
TAPWARE

# 'Global Accessories'<sup>TM</sup>

## UNIVERSAL PRE-RINSE HOSE

**New Hose:- suit Fisher + Rinse-Mate, T&S, Encore, Enware, 3Mkz, Galvin, Other**

Your **ONLY** Pre-Rinse **HOSE** to suit various brands of hose configurations

[ c/w ½" FI Swivels Ends + Adaptors ]

\*920mm Hose - PT. No. **GPRH0900U** RRP \$ \_\_\_\_\_ + GST  
Previously **GF2918A**



O/A HOSE Length = 920mm

½" Swivel Female Nut – Suit Enware, etc



7/8 FI Adaptors to suit T&S or Encore, etc



2 Nipples To suit Fisher & Handle to suit Fisher, Rinse-Mate + Others



### Features:

- Suits Hot & Cold & RO water.
- S/S Braid Inner Santoprene Hose & 304 S/S Components & Armourflex Outer.
- ½" Bsp S/S Swivel Female Ends w/ 3mm thick Fibre washers.
- Hose Assembly Tested to AS4020 & AS3499 = Passed.
- 2 x M5 S/S Grub Screws –Superglued into position per end to lock the outer Armourflex to the inner hose component.
- New Style of Hose acts as an excellent Fisher Hose substitute.

### WARRANTY:

- 24 Months for Commercial use.  
(As this is a new model, we will keep this warranty period for 2 yrs, then look to increase it as the product proves itself.)  
Warranty DOES NOT cover Wear & Tear, Abuse, Over Stretching, incorrectly installed.

**This is the Most VERSATILE Pre-Rinse Hose on the Market.**

#### **This Hose suits:**

Global Fisher & Global Rinse-Mate, Enware, Galvin, 3MKZ, T& S, Encore & any other Pre-Rinse hose using ½" bsp or 7/8-fine thread Female Ends, other than the ones stated below.

#### **It will Not suit:**

Single Lever, domestic type Pre-rinse, that use a small i.d. Spring Guard & braided hose, even if it states it is Commercial.

For those hoses we offer another type / style.

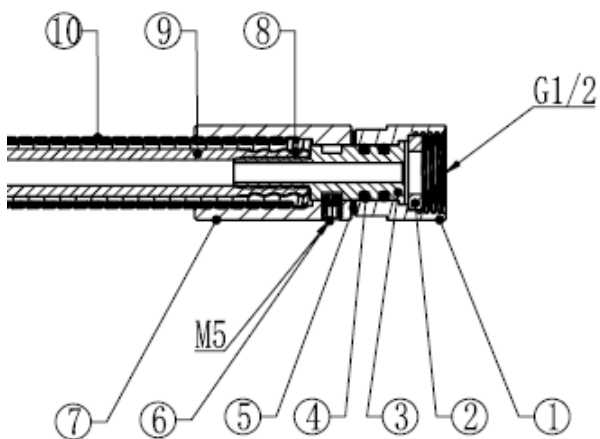
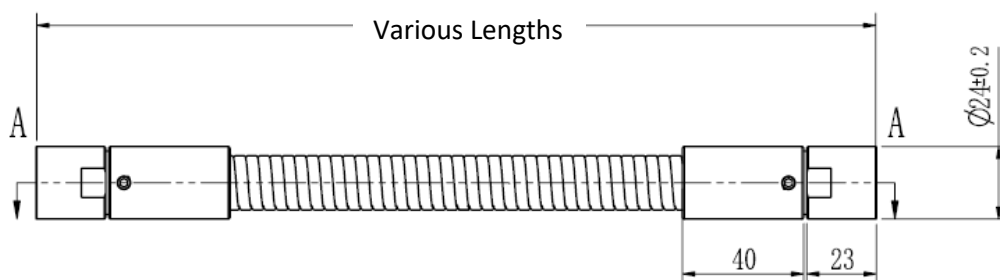
#### **Global Tapware Pty Ltd**

E – [sales.info@globaltapware.com](mailto:sales.info@globaltapware.com)

P – 07 38 55 2350

P – 1300 85 25 15

W- [GLOBALTAPWARE.COM.AU](http://GLOBALTAPWARE.COM.AU)



Item	Description	Qty
1	SS304 Swivel Nut	2
2	Fibre Washer	2
3	SS304 Tail Piece	2
4	NBR O'Rings	4
5	PTEF spacer -1mm	2
6	SS304 M5 Grub Screw	4
7	SS304 Outer Ferrule	2
8	SS304 Inner Ferrule	2
9	SS304 Braid Santoprene Tube	1
10	SS304 Armourflex Outer	1

### Technical:-

#### Australian Standards :

Has been fully tested and compliant to AS4020 & AS3499.

#### Material :

304 Stainless Steel fittings, Braid & Armourflex. w/ Santoprene Inner Tube.

#### O.D. & Length of Nut & Ferrule:

23mm o.d. x 64mm long

Rec'd Working Press. : 500kpa. (NPC)

Max. Press. rate : 1500kpa.

Operating Temp : 1 - 80<sup>0</sup> C.