



'Global Hand-Z-free™' Tapware

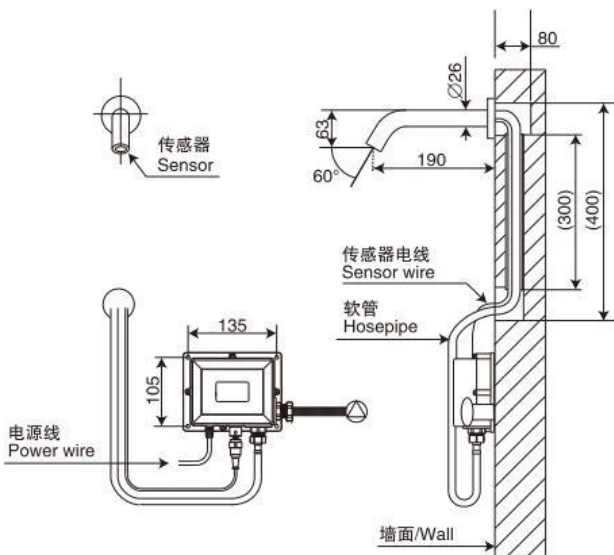
Electronic WALL Mount

Pt. No. GHF-401



NOTE:

We do strongly recommend using an 'Inline Strainer' just prior to **SOLENOID** for filtering small particle debris in water to avoid damage to Solenoid Diaphragm, which is not covered by warranty.



SPECIFICATION:

PRODUCT CODE:	GHF-401
FINISH:	CHROME PLATED
WELS RATING:	6 STAR / 5 LPM
WELS REG.:	T39998
WATERMARK Lic.:	WM-002467
TEMPERATURE:	Min. 1° C – Max. 75° C
PRESSURE RATING:	Min.150KPA - Max.500KPA
POWER:	10A, 230V, 50Hz
PLUG:	3 PIN.

PACKAGING INCLUDES:

- 1 x Sensor Tap – Wall Spout
- 1 x Control Box – including Solenoid.
- 1 x Power Cable / Plug
- 1 x Spout to Control Box Connection Cable

MAINTENANCE & CARE:

Spout should be cleaned with mild liquid detergent or soap & water.

DO NOT use Cream nor Citrus based nor any Aggressive cleaning products. Damage is not covered by Warranty.

WARRANTY:

12 Months on electronics. 36 Months on Metal. Standard Conditions apply – Installed by licence plumber. Not damaged at install nor afterwards. ** Damaged, leaking, non-closing caused by debris from water is not covered



Product must be installed by registered Plumber in accordance with the PCA and AS/NZS3500.



GLOBAL TAPWARE PTY LTD

E – sales.info@globaltapware.com

P – 07 3855 2350

P – 1300 85 25 15

www.globaltapware.com.au