



GLOBAL
TAPWARE



Introducing the NEWEST & MOST INNOVATIVE Concept to date in **'KNEE BASINS'** – NOW MADE IN **'COLOUR'**

*All Spouts:- WELS Reg. T42325. 4 Star / 7.5 lpm

*All plumbing components used are Watermarked.

A
All Stainless Steel



- ✓ Choice of Three [3] Colours. First Time ever on market.
- ✓ All supplied under a Highly Polished Bowl –
 - ✓ A – STAINLESS-STEEL Panels. (in No. 4 finish)
 - ✓ B – Semi Gloss BLACK Side Panels w- S/S Front Panel.
 - ✓ C – Semi Gloss WHITE Side Panels w- S/S Front Panel.
 - ✓ D – All WHITE Panels.
 - ✓ E – All BLACK Panels
 - ✓ F – S/S Splashback Panel (Can be available in Colour)

✓ Rounded Corner Bowls = OHS Safer

B

Stainless Steel Bowl
& Push Panel w-
BLACK Sides



- ✓ OHS Safe with Larger Spouts
- ✓ To get whole of arm under.

C

Stainless Steel Bowl
& Push Panel w-
WHITE Sides



- ✓ A Better Push Valve.
- ✓ A Simple ON / OFF action.
- ✓ NO Timer Available as yet
- ✓ Designed for Minimal Maintenance
- ✓ Innovative Push / Access Panel. Easier to gain access to Valves & Hoses for maintenance.

Images are Renderings & may vary slightly from actual product.

✓ A Better Design to fix to wall . A system we design in our earlier model is carried over here for a one man install = cost savings.



GLOBAL
TAPWARE



- ✓ **2-part Gooseneck Spouts – w- Grub Screw Lock.**
At 222mm Tall & 170mm reach it Bigger than others on the market Allowing for full Arm emersion.

Stainless Steel Bowl & ALL WHITE Housing

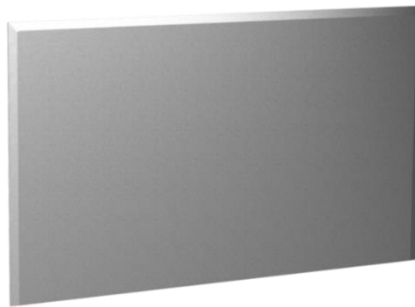


Images are Design Renderings & may vary slightly from actual product.

Stainless Steel Bowl & ALL BLACK Housing



- ❖ **Designed for a 1 man Install, using the 'EASY Fit Kit'.**



S/S Splash Back Panel
In No. 4 Finish
* Colour (P.O.A.)
w- 3 Edge Breaks
520mm (W) x 300mm (H)

FEATURES:

- All Polished Stainless-Steel Bowl w- **Round Corners**
- Body Frame w- **Colour Options:- (1) No. 4 Stainless. (2) Powder Coated White (3) Powder Coated Black. (4) Mixed**
- Quick & Easy to fit Kit for **one Man install.**
- Supplied with **40mm Plug & Waste.** – Watermark
- Supplied with **Tempering Valve. (TV)** – Watermark
- Can be supplied with Thermostatic Mixing Valve (TMV) instead of the Tempering Valve (TV). Will cost more.
- Supplied with **Push On / Off Valve** – Watermark - New concept in Push On Valve for Knee Basins.
- Supplied with **170 mm Gooseneck Spout** – Watermark / WELS rated 3 Star & 7 lpm & WELS Reg. T39425
- 12month warranty on parts.
- **SPLASH-BACK** sold Separately & can be done in Colours **Black Or White.** – Enquire with us about Coloured Prices.

PACKING Dimensions & Weight - 55cm x 45 cm x 35 cm Brown Box / 10 kg (Rounded Up) without Splashback.

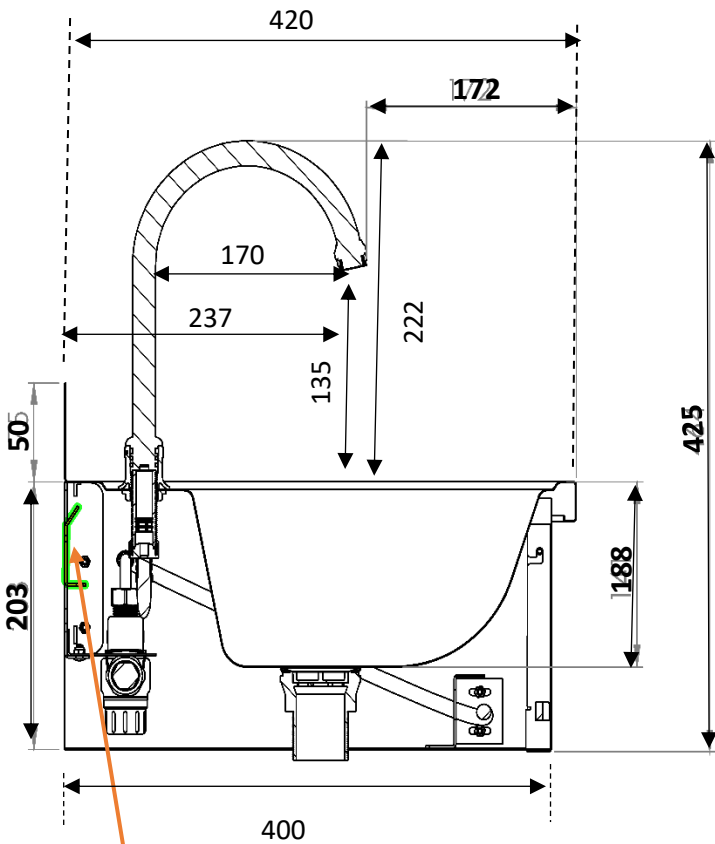
PRODUCT	Part No.s	RRP (w-TV)	To Replace w- TMV add \$ to Price & code from 'TV' to 'TMV'
A) STAINLESS - All Panels	Pt. No. GI-KOB01TV	RRP \$ _____ + GST	Add \$ _____ + GST
B) S/S Push Panel & WHITE Sides	Pt. No. GI-KOB01TV-WS	RRP \$ _____ + GST	Add \$ _____ + GST
C) S/S Push Panel & BLACK Sides	Pt. No. GI-KOB01TV-BS	RRP \$ _____ + GST	Add \$ _____ + GST
D) All WHITE Panels	Pt. No. GI-KOB01TV-W	RRP \$ _____ + GST	Add \$ _____ + GST
E) All BLACK Panels	Pt. No. GI-KOB01TV-B	RRP \$ _____ + GST	Add \$ _____ + GST
F1) Splash Back - S/S No.4	Pt. No. GI-KB-SB-300SS	RRP \$ _____ + GST	Add \$ _____ + GST
F2) Splash Back- Coloured White	Pt. No. GI-KB-SB-300W	RRP \$ ___ P.O.A. ___ + GST	Min. Batch Qty = 5



GLOBAL
TAPWARE

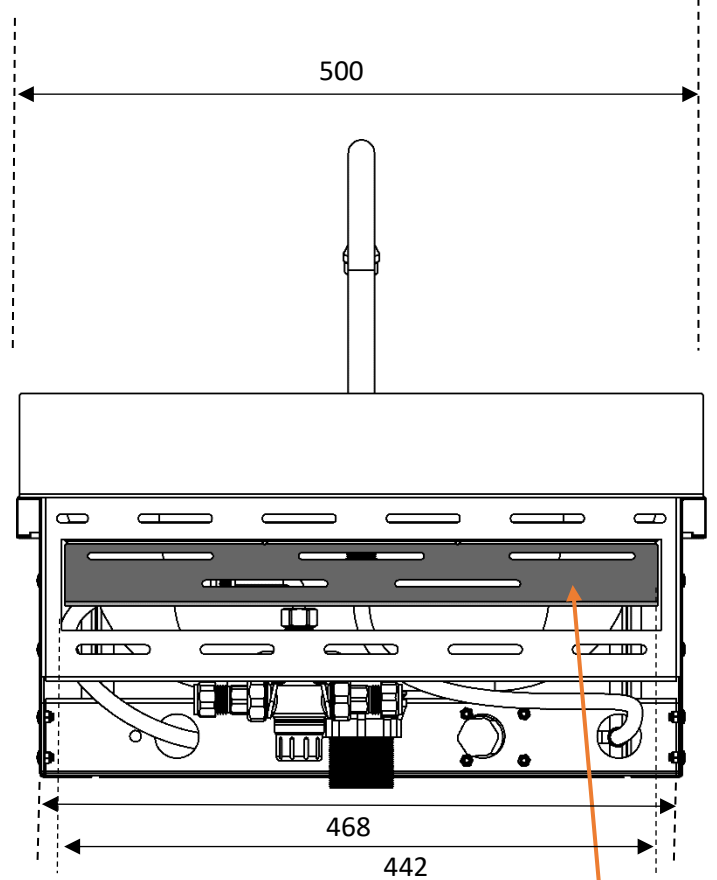


SIDE VIEW



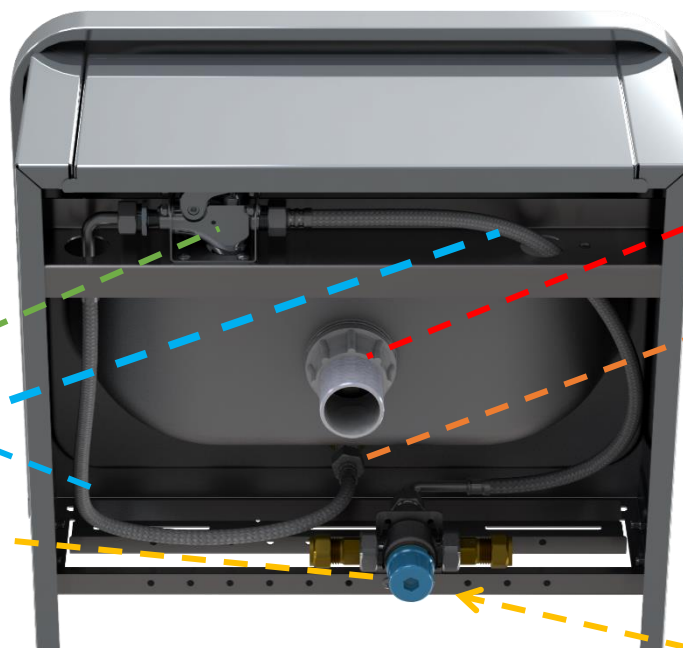
The "Easy Fit Kit"
Wall Bracket System

BACK VIEW



The "Easy Fit Kit"
Wall Bracket System

UNDERNEATH VIEW



SUPPLIED & FITTED :-
Final testing to be done on site.

- 1 - Push ON / OFF Valve.
- 2 - Flexible Hoses x 2
- 3 - Tempering Valve.
Mix to be set on site

SUPPLIED but not FITTED:

- 4 - 40mm Plug & Waste

SUPPLIED Partly FITTED:

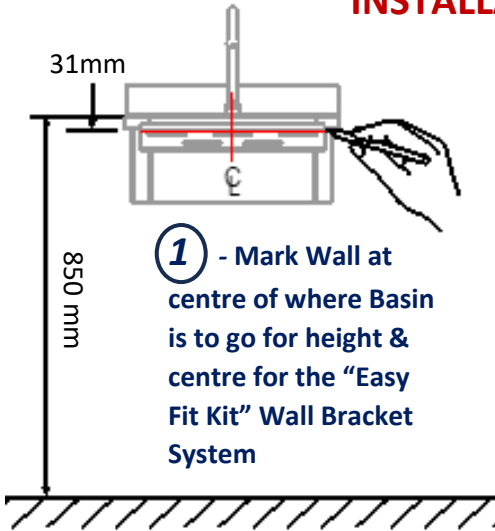
- 5 - Large Gooseneck Spout
Some Assembly required on top

NOTE :- Tempering Valve can be swapped out for a Thermostatic Mixing Valve



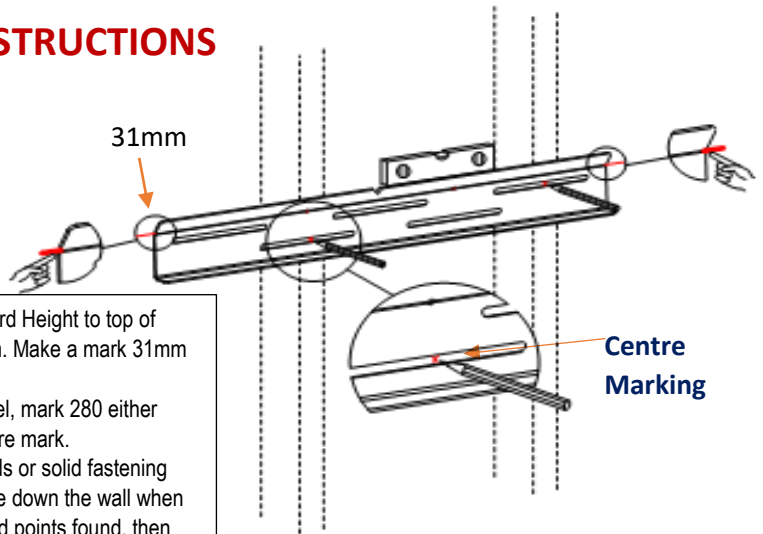


INSTALLATION INSTRUCTIONS

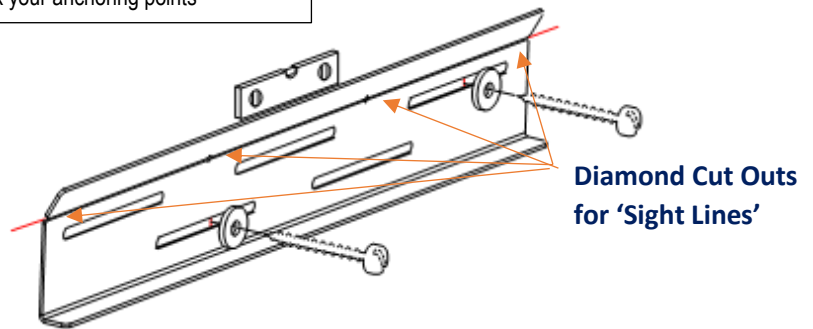


1 - Mark Wall at centre of where Basin is to go for height & centre for the "Easy Fit Kit" Wall Bracket System

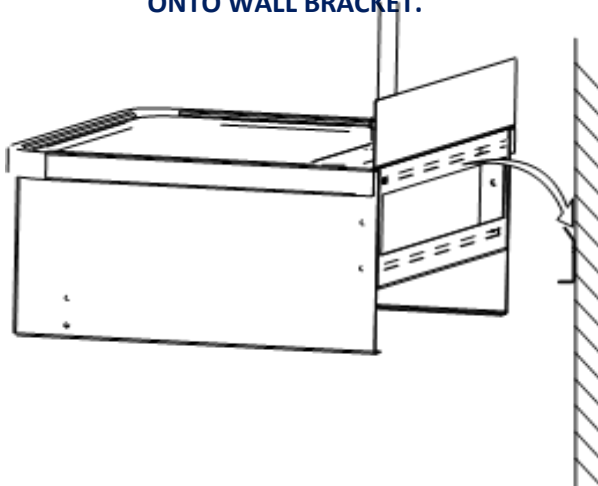
- 1 - The Standard Height to top of basin is 850mm. Make a mark 31mm down from 850.
- 2 - Using a level, mark 280 either side of the centre mark.
- 3 - Locate Studs or solid fastening point. Draw Line down the wall when found. If no solid points found, then use High Quality Anchors that are suitable.
- 4 - Using the slots on the bracket mark your anchoring points



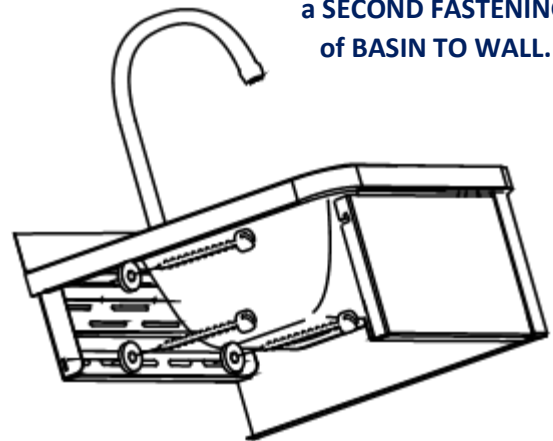
2 - Use Level for Marking out using "Easy Fit Kit". Use Quality Fastening method & screws. Best into solid wall or plate / noggin.



3 - PLACE BASIN ONTO WALL BRACKET.



4 - We Recommend a SECOND FASTENING of BASIN TO WALL.



5 - FINISH OFF: (A) Install **Plug & Waste**. (B) Connect Water Up To **Tempering Valve (TV)**. (C) **Insert Spout** Into HOUSING & **Tighten GRUB SCREW** up hard to restrict Spout Movement, ** Remove Aerator before flushing line. (4a) **Fill Out TV Label** and place on the inside Wall Panel, near the TV. (4b) Fill In **Install Details Sticker** & Stick it inside of the Front push Panel, off to one side.